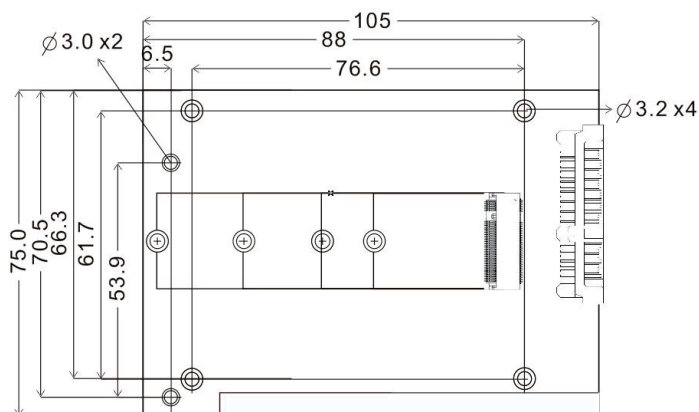


# SATA III to M.2 (NGFF) SSD Adapter



## Dimensions (unit:mm)



▲ AD901 Adapter

## Order Information

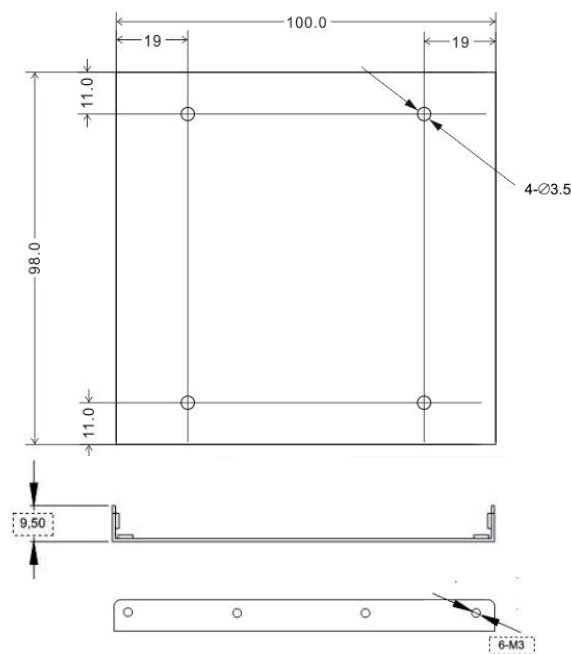
Part No.	AD901E
Description	SATA III to M.2 NGFF SSD Adapter with 3.5" Frame Bracket

## Specifications

- 3.5" SSD Form Factor
- M.2 (NGFF) to SATA III Module
- Support SATA Revision 3.2
- Compliant with PCI Express M.2 Spec. Version 1.0
- PWM synchronous buck converter Power IC
  - 3A maximum output current
  - Short circuit protection
  - In-rush current suppression
  - Thermal shutdown protection
  - ESD HBM (Human Body Mode)/2KV

## Support M.2(NGFF) Form factor

- Type 2280-D2-B-M: 80mm(L) x 22mm(W)
- Type 2260-D2-B-M: 60mm(L) x 22mm(W)
- Type 2242-D2-B-M: 42mm(L) x 22mm(W)
- Type 2230-D2-B-M: 30mm(L) x 22mm(W)



▲ 3.5" Frame Bracket